

Godswill

CE

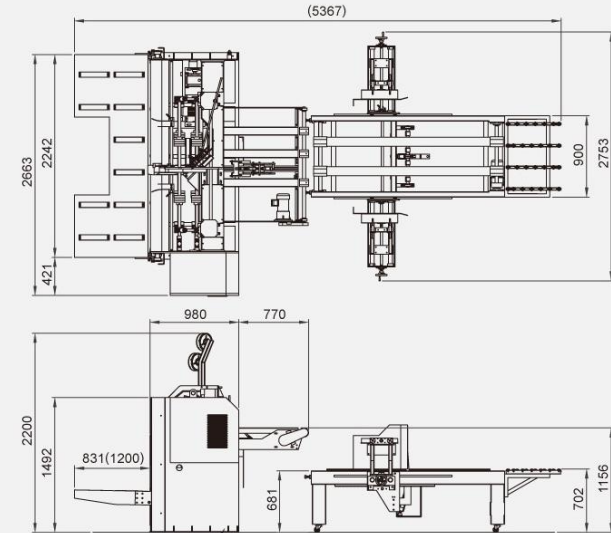
GS-202N5

Best Choice for Box-making Equipment Semi-Auto Stitching Machine



GODSWILL PAPER MACHINERY CO., LTD.

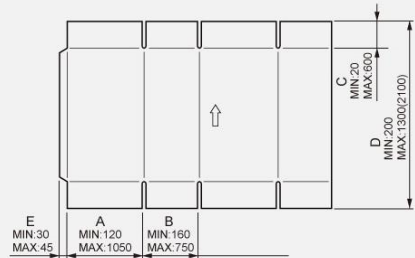
GS-202N5 Layout 外型圖



Size & Stitching Type 尺寸及釘和樣式

打釘型式 STITCHING TYPE

單釘 SINGLE STITCHING	雙釘 DOUBLE STITCHING	加強釘 TIE STITCHING
/	/	/
/	/	/
/	/	/
/	/	/



General Specifications 一般規範

MODE	GS-202NS	
打釘速度	STITCHING SPEED	400 Stitches/ Min
打釘數目	NO. OF STITCHES	3-99 Stitches (可調整Adjustable)
可調整釘距	STITCHES PITCH	35-60 mm (可調整Adjustable)
積紙高度	STACK HEIGHT	850 mm
馬力	POWER REQUIRED	5½ HP
機械重量	M/C WEIGHT	2300 kgs
最大成品尺寸	MAX. PRODUCT SIZE	1500mm x 1300mm

專利機權，仿冒必究 *產品規格設計，本公司保有變更之權力，恕不另行通知！ Specifications And Design May Be Change Without Prior Notice.

Godswill 冠裕機械股份有限公司
裕恒機械股份有限公司
GODSWILL PAPER MACHINERY CO., LTD.

台中縣神岡鄉神州北路88號
No.88, Shenjhou N. Rd., Shengang Township,
Taichung County 429, Taiwan (R.O.C)
TEL: 886-4-2526-8912 FAX: 886-4-2527-8683
http://www.godswill.com.tw
e-mail: service@godswill.com.tw



Semi-Auto 半自動釘箱機 **Stitching Machine** **GS-202N5**

GS-202N5 hands down GODSWILL's stitcher that is outstanding extraction, and creates some new devices. Specifically, it's low cost to invest and high capacity machine. Also is basic of box-making machine.

GS-202N5傳承Godswill優異的釘機血統，創新結構設計。其低投資成本高產能的特質，是製箱設備中不可缺少的選擇。

Special Features 特點

- Independent control for front and rear feeding wheels offer auto-feed and push in control types to fit different product.
- A patent feeding wire device can smooth and indeed to feed wire. Double Linkages Stitching Head makes by special alloy steel with precise grinding. That is less requiring to lubricate and easy to maintain.
- 獨立前後輪夾持控制，依產品需求選擇適合的控制方式。
- 專利送線機構送線穩定確實，特殊鋼精密研製的雙連桿釘頭，低潤滑需求維修簡易。

Automatic counter ejector stacks produces with setting sum and separates batch delivery.

自動計數輸送機可將成品自動計數，分疊送出，以配合後段結束機作業。



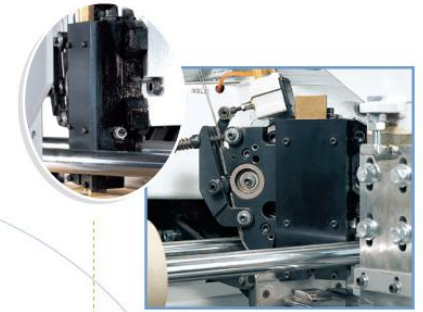
New designing for stopper device outstands before limit. That can do special box without cover (20~25mm) or just short cover.

新型檔板裝置突破舊款限制，可釘無箱蓋(20~25mm)或短箱蓋的產品。

GS-202N5

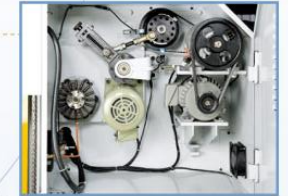
Operation panel design for easy understand, Setting parameter just use touch switch and operation without special trained worker.

簡單易懂的操作面板操作參數指撥設定無需特別訓練的操作人員。



Material for stitching head by special alloy steel with precision grinding, forming block acting with swing type for high speed stitching.

釘頭組件採特殊鋼材精密研磨，專利型擺動式成型塊，動作輕巧確實，大幅提昇打釘速度。



Compounding power translation designing get advantageous from gear box and chain type, easy maintenance, less trouble, low noise and highly effective.

複合式傳動設計，結合齒輪箱式及鍊條式傳動的優點，易於維修保養故障少，低噪音高效率傳動。



※ Optional 選購配備

Wire feeder option and supply can be purchased for large wire coil (30 kgs). This will increase producing effective and reduces installing wiretimes.

送線機專為大捆釘線設計之選購配備，大幅減少釘線更換作業時間，提高工作效能。



All operation function are controlled through a programmable logic controller. 電控系統經由PLC可程式控制器，控制系統穩定檢修容易。